



Elvoron Lula

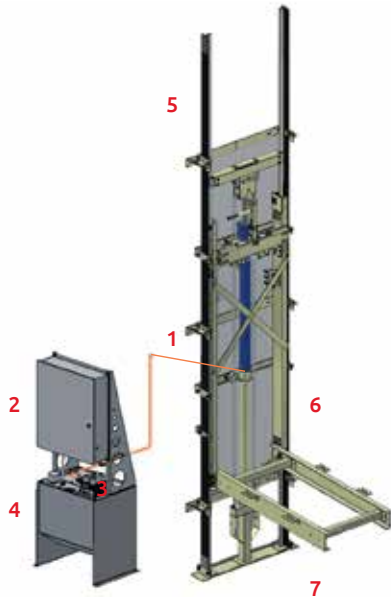
Limited Use Limited Application Elevator

Technical Information

Warning about LULA Elevators:

Local code authorities may have a limit on travel, capacity, car sizes and speed. Contact your local Garaventa Lift representatives before starting your project.

Drive System



1. 1:2 Cable hydraulic drive with automatic leveling, emergency manual lowering and instantaneous safety brake system.
2. Computerized (PLC) controller has an emergency backup power system for lowering in the event of power failure.
3. Two-speed hydraulic control valve provides smooth, comfortable starting and stopping.
4. Submersed hydraulic pump and motor ensures quiet operation.
5. Sturdy 8 lbs per foot elevator guide rail system ensures a smooth, quiet ride.
6. Heavy duty cantilevered car support sling provides capacity of up to 1400 lbs (635 kg).
7. Minimum pit depth is 14" (356 mm).

Specifications

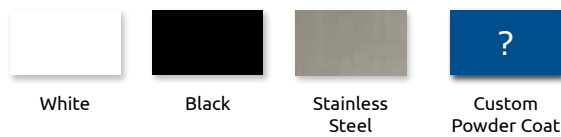
Related Load	1400 lbs (635 kg)
Speed	Standard 30 fpm (0.15 m/s) nominal speed. Option 40 fpm (0.2 m/s), contact Garaventa Lift
Travel Range	Standard: 25 ft (7.6 meters). For greater travel distances, contact Garaventa Lift
Overhead Clearance	135" (3429mm). 114" (2896mm) with car top prop
Drive System	1:2 Cable Hydraulic. Heavy duty car sling with roller guide shoes running on 8 lb. per foot steel T-Rails. Quiet submersed pump and motor. Factory pre-set and tested 2-speed valve for smooth start and stop.
Controls	Fully automatic push button operation. Garaventa-Design PLC Controller. Integrated self-diagnostics. Digital floor indicator in car. Automatic car lighting upon entry. Illuminated push buttons
Power Supply	Elevator: Standard 208 VAC three phase. Option 230 VAC single phase. Lighting: 110 VAC single phase, 15 amps
Doors	36" x 80" (914mm x 2032mm) two-speed horizontal sliding hoistway and car doors
Safety Features	Emergency battery lowering system. Emergency manual lowering valve. Safety brake system Automatic bi-directional floor levelling. Stop keyswitch and alarm button in car. Final limit switch. Overspeed valve. Pit Prop
Unique Standard Features	Braille markings. Car direction lantern comes with audio and visual signals. Full height photo-electric door sensors
Code Compliance	ASME A17.1/CSA B-44. Section 5.2 LU/LA Elevators. ADA (Americans with Disabilities Act)
Popular Options	Integrated hands free telephone. Phone Monitoring. Custom car finishes. Additional handrails. Buffer springs (increases your pit depth)
Warranty	2 year standard warranty. Optional additional 5 year extended warranty (7 years)

Finishes & Dimensions

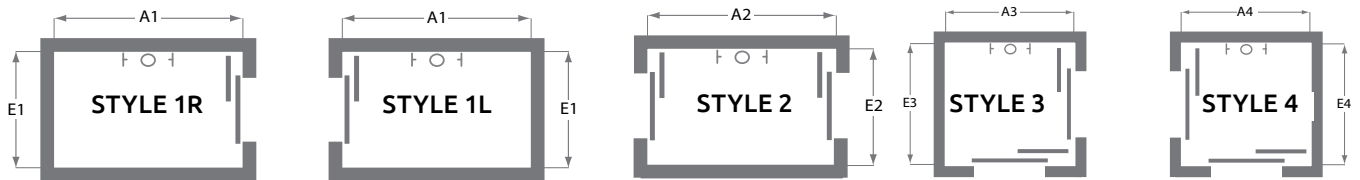
Laminate Wall Finishes



Wall Trim Finishes



Exit and Entry Configurations



NOTE: If compliance to the Americans with Disabilities Act (ADA) is required, Style 3 or 4 elevators are restricted to use in existing buildings only.

Hoistway Dimensions

	Style 1R & 1L		Style 2		Style 3		Style 4	
	mm	in	mm	in	mm	in	mm	in
Car Size – 48" x 54" (1220 x 1372)								
Hoistway Width	1753	69*	1753	69*				
Hoistway Length	1854	73	2070	81 1/2				
Car Size – 42" x 60" (1067 x 1524)								
Hoistway Width	1753	69*	1753	69*				
Hoistway Length	2007	79	2223	87 1/2				
Car Size – 51" x 51" (1295 x 1295)								
SEE NOTE ABOVE REGARDING ADA COMPLIANCE FOR STYLE 3 & 4 CABS								
Hoistway Width					1975	78 3/4	1975	78 3/4
Hoistway Length					1829	72	1829	72

*66" (1676 mm) hoistway width may be feasible. Consult with your local Garaventa Lift Representatives.




Garaventa Lift

18920 36th Avenue · Surrey, BC · V3Z 0P6 · Canada
T 604 594 0422 · **T** 800 663 6556 (toll free North America)
E info@garaventlift.com · **I** www.garaventlift.com



Authorized Garaventa Lift Representative

© Garaventa Lift. As we are continuously improving our products, specifications outlined in this brochure are subject to change without notice.

 Printed in Canada
37157-S-PB-EN